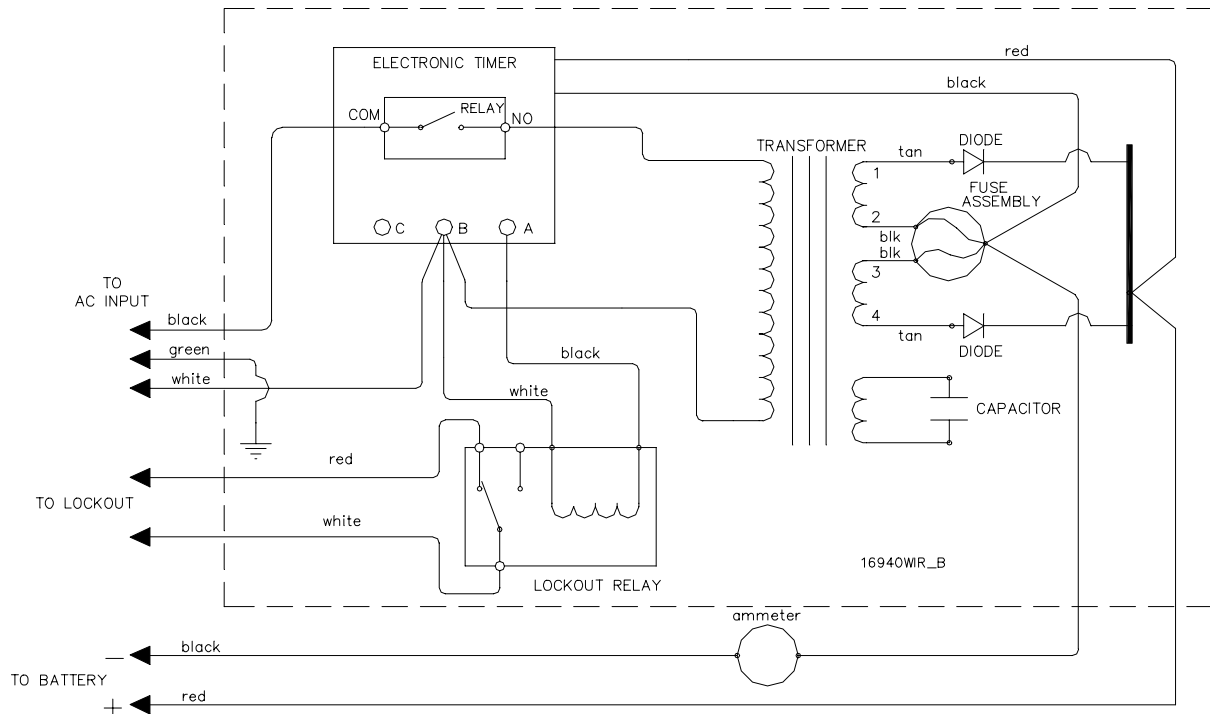




**WIRING DIAGRAM**



**PARTS LIST FOR LESTRONIC II CHARGER  
CUSHMAN NO. 892860  
MODEL 16940 TYPE 24LC25-8ET  
115 VAC / 60 HZ**

<b>CUSHMAN PART NO.</b>	<b>LESTER PART NO.</b>	<b>QTY.</b>	<b>DESCRIPTION</b>
892889	21559S	1	CASE ASSEMBLY
892890	16945S	1	TRANSFORMER ASSEMBLY
883215	16354S	1	HEATSINK ASSEMBLY, W/ DIODES
892891	24800S	1	ELECTRONIC TIMER ASSEMBLY
	* 044835	1	RELAY, FOR ELECTRONIC TIMER
	** 23385S	1	RELAY, FOR ELECTRONIC TIMER
823749	02390S	1	CAPACITOR, 6.0 MFD, 660 VAC
822048	02028S	2	BUSHING, 7W-2, INSULATOR
883216	03574S	1	CORDSET, AC, 14/3, 108", W/ MOLDED PLUG
892892	21558S	1	WIRING HARNESS
883844	08776S	1	FUSE ASSEMBLY
892893	17305S	1	RELAY, 115V, 15A, SPDT

\* FOR USE IN CHARGERS BUILT BEFORE 39/03  
\*\* FOR USE IN CHARGERS BUILT AFTER 39/03