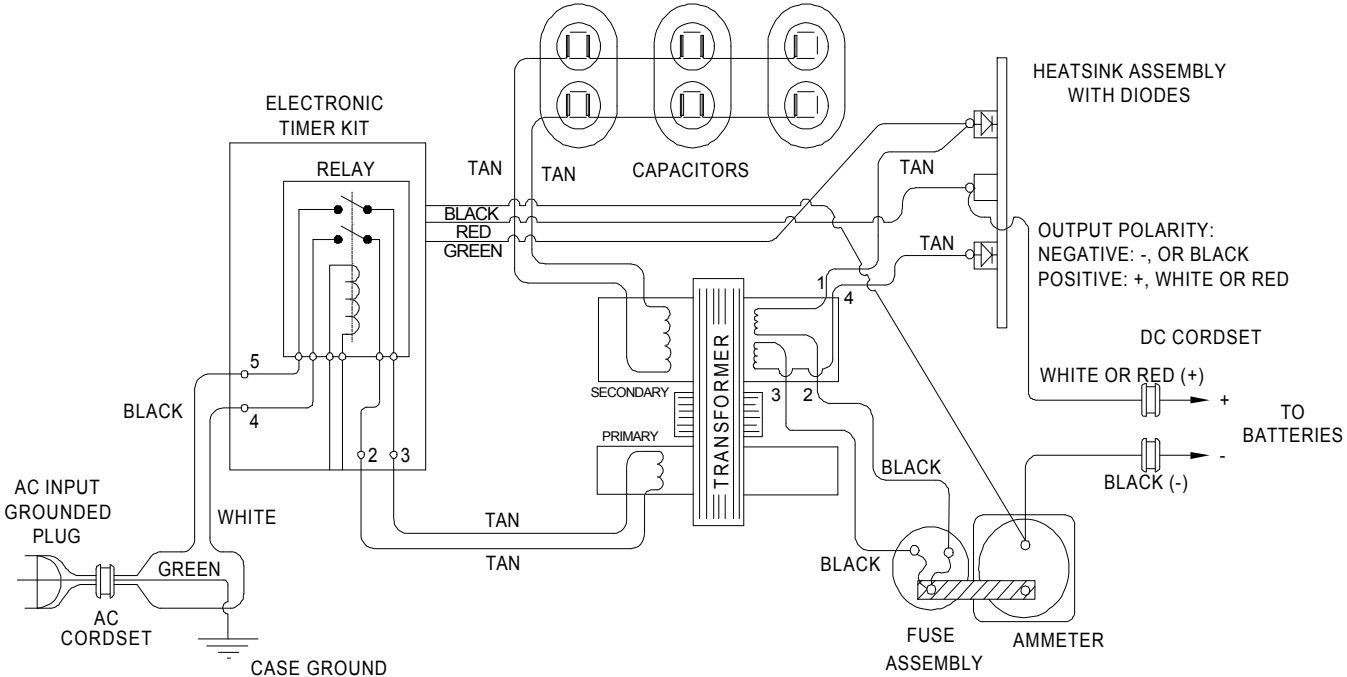


WIRING DIAGRAM



GL2230S2

**PARTS LIST FOR LESTRONIC II CHARGER
 MODEL 07965 TYPE 48LC50-8ET
 230 VAC / 50 HZ**

PART NO.	QTY.	DESCRIPTION
09989S	1	CASE ASSEMBLY
07904S	1	TRANSFORMER ASSEMBLY
09041S	1	HEATSINK ASSEMBLY, W/ DIODES
08849S	2	DIODE ASSEMBLY
20726S	1	AMMETER
09557S	1	ELECTRONIC TIMER ASSEMBLY (RELAY-03735S)
02390S	3	CAPACITOR, 6.0 MFD, 660 VAC
08799S	1	FUSE ASSEMBLY
02028S	3	BUSHING, 7W-2, INSULATOR FOR CORDSETS
09987S	1	CORDSET, AC
08823S	1	CORDSET, DC, W/ 175 AMP ANDERSON PLUG
22794S	1	CORDSET, DC, W/ 350 AMP ANDERSON PLUG
08848S	1	CORDSET, DC, W/ NO PLUG
02957S	1	PLUG ASSEMBLY, DC, 175 AMP ANDERSON PLUG